

PRICE PUMP CO.

#1 Pump Way P.O. Box Q
 Sonoma, CA 95476 (707) 938-8441
 707-FAX 938-0764

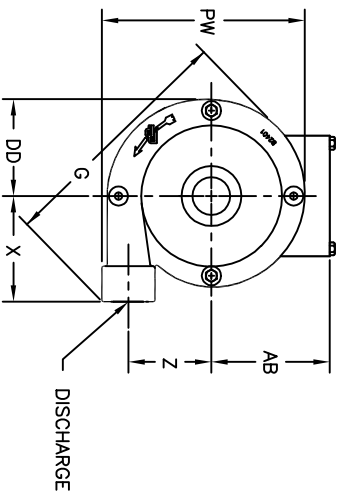
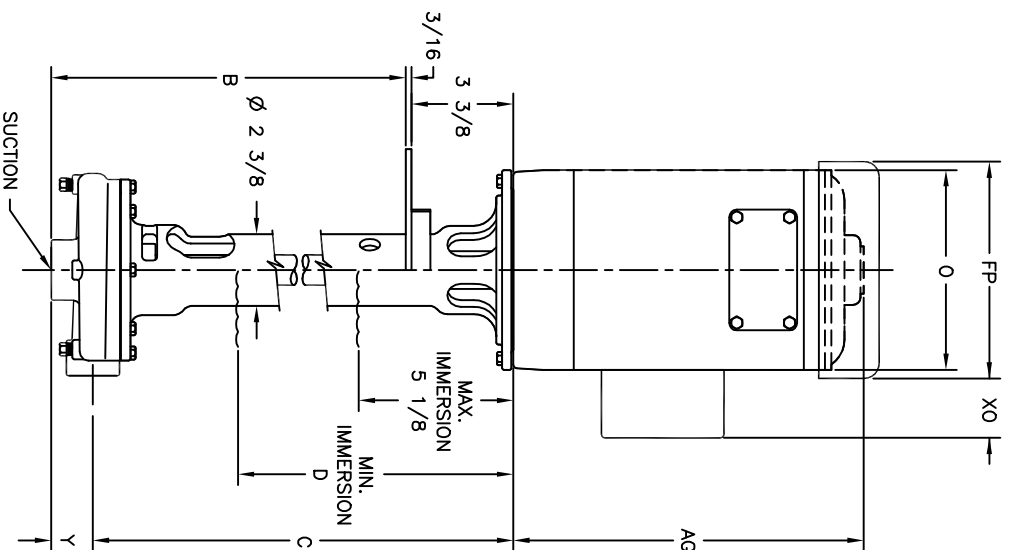
FACTORY FAX TRANSMITTAL DRAWING

REV. D

DATE 01/27/94

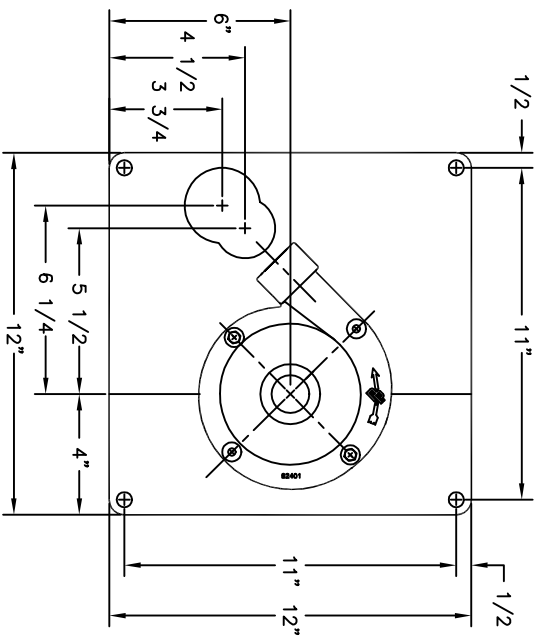
REF. NO. O-CDVCI

DESCRIPTION CD100/150 CI VERTICAL 13"/20" MOTOR PUMP ASSEMBLY



HP	RPM	FRM	MOTOR END DIMENSIONS			
			AG	FP	O	XO
1/4	1800	56C	7 3/4	6 1/8	5 3/8	2 1/16
1/3	1800	56C	8 1/4	6 1/8	5 3/8	2 1/16
1/2	1800	56C	8 3/4	6 1/8	5 3/8	2 1/16
1/3	3600	56C	8 1/2	6 1/8	5 3/8	2 1/16
1/2	3600	56C	8 3/4	6 1/8	5 3/8	2 1/16
3/4	3600	56C	9 1/4	6 1/8	5 3/8	2 1/16
1	3600	56C	9 3/4	6 1/8	5 3/8	2 1/16
1 1/2	3600	56C	10 1/2	7 3/16	6 7/8	2 1/4
2	3600	56C	11 1/8	7 3/16	6 7/8	2 1/4
3	3600	56C	12 3/8	7 3/16	6 7/8	2 1/4
5	3600	184C	13 5/8	8 1/2	7 7/8	2 1/4

NOTE:
 MOTOR DIMENSIONS WILL VARY BY MODEL AND MAKE;
 DIMENSIONS ARE TO BE USED FOR REFERENCE ONLY.



MODEL	COLUMN DIMENSIONS				MIN. D	IMMERSION
	B	C				
CD100-V CI 13"	11 3/4	13 15/16			9 1/8	
CD100-V CI 20"	18 3/4	20 15/16			16 1/8	
CD150-V CI 13"	12 11/16	14 1/16			9 1/8	
CD150-V CI 20"	19 11/16	21 1/16			16 1/8	

MODEL	PUMP END DIMENSIONS						SUCTION	DISCHG
	G	DD	PW	X	Y	Z		
CD100 CI	8 3/16	3 3/16	11 1/16	3 1/2	1 3/8	2 3/4	1 1/4	1"
CD150 CI	9 7/16	4 1/16	15 1/16	3 13/16	2 1/8	3 1/16	2"	1 1/2

NOTE: ALL DIMENSIONS HAVE BEEN ROUNDED TO THE NEAREST 1/8 INCH.